

**LP22A-72T LOW PROFILE
72" SKID-STEER BUCKET**

PROPRIETARY AND CONFIDENTIAL
 THE INFORMATION CONTAINED IN THIS DRAWING IS THE SOLE PROPERTY OF STAR INDUSTRIES. ANY REPRODUCTION IN PART OR AS A WHOLE WITHOUT THE WRITTEN PERMISSION OF STAR INDUSTRIES IS PROHIBITED.

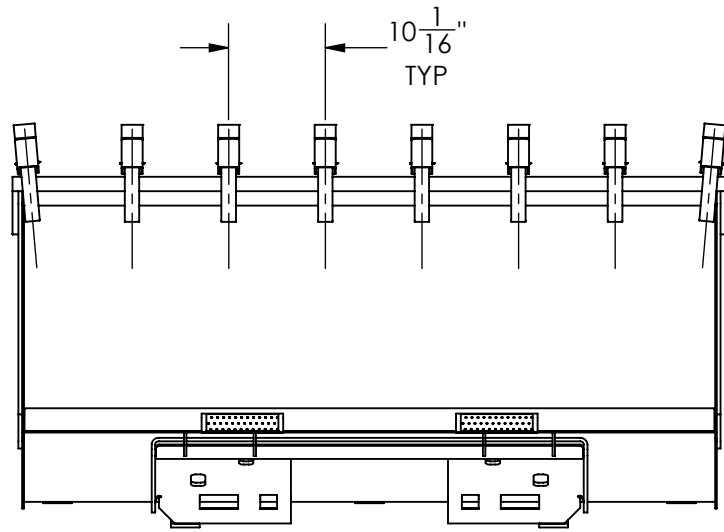
UNLESS OTHERWISE SPECIFIED:	
DIMENSIONS ARE IN INCHES	
TOLERANCES: $\pm 1/16$	
FRACTIONAL \pm	
ANGULAR: MACH \pm BEND \pm	
TWO PLACE DECIMAL \pm	
THREE PLACE DECIMAL \pm	
INTERPRET GEOMETRIC TOLERANCING PER:	
MATERIAL	REFER PARTS DETAILS
FINISH	
DO NOT SCALE DRAWING	

	NAME	DATE
DRAWN	HI-TECH	12/19/2019
CHECKED		
ENG APPR.		
MFG APPR.		
Q.A.		
COMMENTS:		

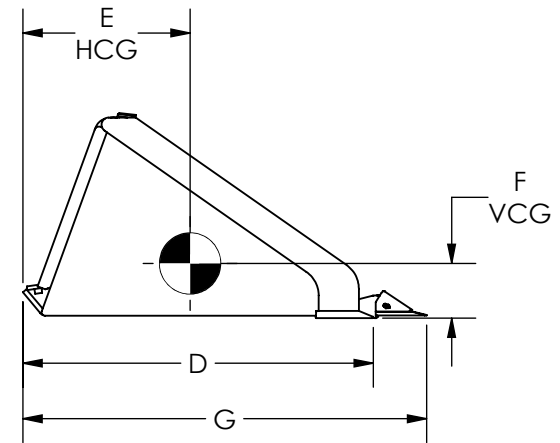
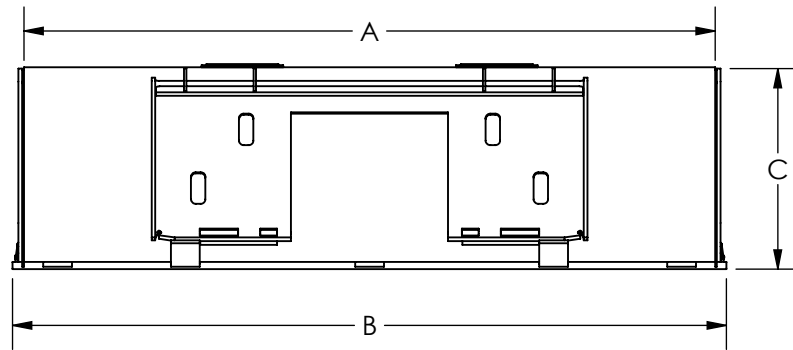


TITLE:
**LP22A-72T LOW PROFILE
 72" SKID-STEER BUCKET**

SIZE A	DWG. NO. LP22A-72T-DLR	REV 0
SCALE: 1:12		WEIGHT: 0.2484586.18 LBS
SHEET 1 OF 2		



LP22A-72T LOW PROFILE 72" SKID-STEER BUCKET



MODEL NO	A	B	C	D	E	F	G	HEAPED CAPACITY (CYD)	EMPTY WEIGHT
LP22A-72T	72"	74 3/8"	20 7/8"	36 13/16"	17 3/4"	5 1/2"	42 3/8"	0.788	586.18 LBS

SIZE A	DWG. NO. LP22A-72T-DLR	REV 0
SCALE: 1:20	WEIGHT: 586.18 LBS	SHEET 2 OF 2